

# V2FH SERIES

2-PIECE FULL PORT BALL VALVE

JIS10K , JIS20K

STAINLESS STEEL

SUS 316(EN10213-4 1.4408)(ASTM-A351-CF8M)

SUS 304(EN10213-4 1.4308)(ASTM-A351-CF8)

FEATURES:

Flang:JIS 10K B2212 JIS 20K B2214

Face to face:DIN3202 F1/F4/F5

Anti-static device,fire safe design

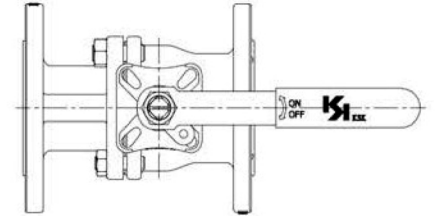
Blow-out proof stem , lever operated

Direct Mountig Pad ISO 5211

FLANGED END

100% factory tested

FLANGED END

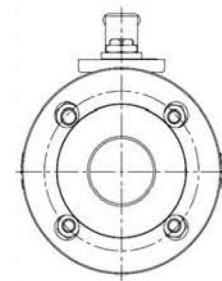
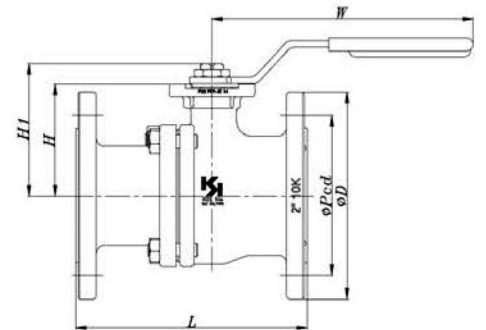


SPECIFICATION				
Seat Material	Temp.Range	Pressure	Leak Rates	
			Inborad	Across Seat
PTFE	-10 ~ 80°C	10kgf/cm <sup>2</sup>	≤ 1.0×10 <sup>-6</sup> atm.cc/sec He	≤ 1.0×10 <sup>-6</sup> atm.cc/sec He

FLANGED END (JIS 10K)							
Model	Size	ΦD	ΦPcd	L	H	H1	W
15A	1/2"	95	70	110	46.5	56	110
20A	3/4"	100	75	120	51.5	61	110
25A	1"	125	90	130	57.5	67	136
32A	1-1/4"	135	100	140	71.5	87	175
40A	1-1/2"	140	105	165	76.5	92	203
50A	2"	155	120	180	83.5	99	203
65A	2-1/2"	175	140	190	118.5	137	277.5
80A	3"	185	150	200	129.5	148	277.5
100A	4"	210	175	230	145	163.5	377.5
125A	5"	250	210	300	158.5	202.1	500
150A	6"	280	240	340	170	213.6	600

FLANGED END (JIS 10K)							
Model	Size	ΦD	ΦPod	L	H	H1	W
15A	1/2"	95	70	140	47.5	56	110
20A	3/4"	100	75	152	58.5	61	110
25A	1"	125	90	165	62.5	67	136
40A	1-1/2"	140	105	190	78	92	203
50A	2"	155	120	216	83.5	99	203
65A	2-1/2"	175	140	241	118.5	137	277.5
80A	3"	200	160	283	129.5	148	277.5
100A	4"	225	185	305	145	163.5	377.5

STRUCTURE	
Parts	Material
BODY	CF8M
CAP	CF8M
BALL	SUS316
BALL SEAT	PTFE
JOINT GASKET	PTFE
STEM	SUS316
THRUST WASHER	PTFE(Graphite)
O-RING	VITON
STEM PACKING	PTFE
STEM RING	SUS304
BELLEVILLE WASHER	SUS304
STEM NUT	SUS304
STOPPER	SUS304
SPRING WASHER	SUS304
HANDLE	SUS304
PLASTIC COVER	PLASIC
NUT1	SUS304
STUD BOLT1	SUS304
NUT2	SUS304
STUD BOLT2	SUS304
LOCK WASHER	SUS304



## # V2FH SERIES

### 2-PIECE FULL PORT BALL VALVE

JIS10K

STAINLESS STEEL

SUS 316(EN10213-4 1.4408)(ASTM-A351-CF8M)

SUS 304(EN10213-4 1.4308)(ASTM-A351-CF8)

FEATURES:

Flang:JIS 10K B2212

Face to face:DIN3202 F1/F4/F5

Anti-static device,fire safe design

Blow-out proof stem , lever operated

Direct Mountig Pad ISO 5211

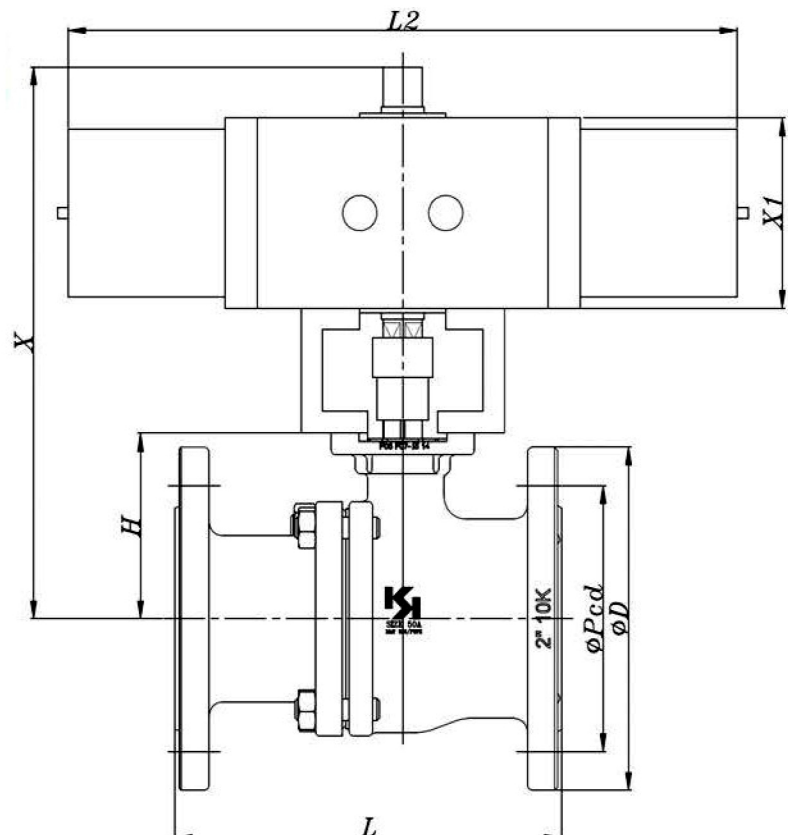
FLANGED END

100% factory tested

SPECIFICATION								
Seat Material	Temp.Range	Pressure	Leak Rates					
			Inborad	Across Seat				
PTFE	-10 ~ 80°C	10kgf/cm <sup>2</sup>	$\leq 1.0 \times 10^{-6}$ atm.cc/sec He	$\leq 1.0 \times 10^{-6}$ atm.cc/sec He				
FLANGED END (JIS 10K)								
Model	Size	ΦD	ΦPcd	L	H	L1	X	X1
15A	1/2"	95	70	110	46.5	109	176	56
20A	3/4"	100	75	120	51.5	109	178	56
25A	1"	125	90	130	57.5	131	195	66
32A	1-1/4"	135	100	140	71.5	165	214	86
40A	1-1/2"	140	105	165	76.5	165	256	86
50A	2"	155	120	180	83.5	165	259	86
65A	2-1/2"	175	140	190	118.5	200	306	104
80A	3"	185	150	200	129.5	200	309	104
100A	4"	210	175	230	145	249	347	120
125A	5"	250	210	300	158.5	292	380	150
150A	6"	280	240	340	170	328	449	180

FLANGED END

STRUCTURE	
Parts	Material
BODY	CF8M
CAP	CF8M
BALL	SUS316
BALL SEAT	PTFE
JOINT GASKET	PTFE
STEM	SUS316
THRUST WASHER	PTFE(Graphite)
O-RING	VITON
STEM PACKING	PTFE
STEM RING	SUS304
BELLEVILLE WASHER	SUS304
STEM NUT	SUS304
STOPPER	SUS304
SPRING WASHER	SUS304
HANDLE	SUS304
PLASTIC COVER	PLASIC
NUT1	SUS304
STUD BOLT1	SUS304
NUT2	SUS304
STUD BOLT2	SUS304
LOCK WASHER	SUS304



## # V2FH SERIES

### 2-PIECE FULL PORT BALL VALVE

JIS10K

STAINLESS STEEL

SUS 316(EN10213-4 1.4408)(ASTM-A351-CF8M)

SUS 304(EN10213-4 1.4308)(ASTM-A351-CF8)

FEATURES:

Flang:JIS 10K B2212

Face to face:DIN3202 F1/F4/F5

Anti-static device,fire safe design

Blow-out proof stem , lever operated

Direct Mountig Pad ISO 5211

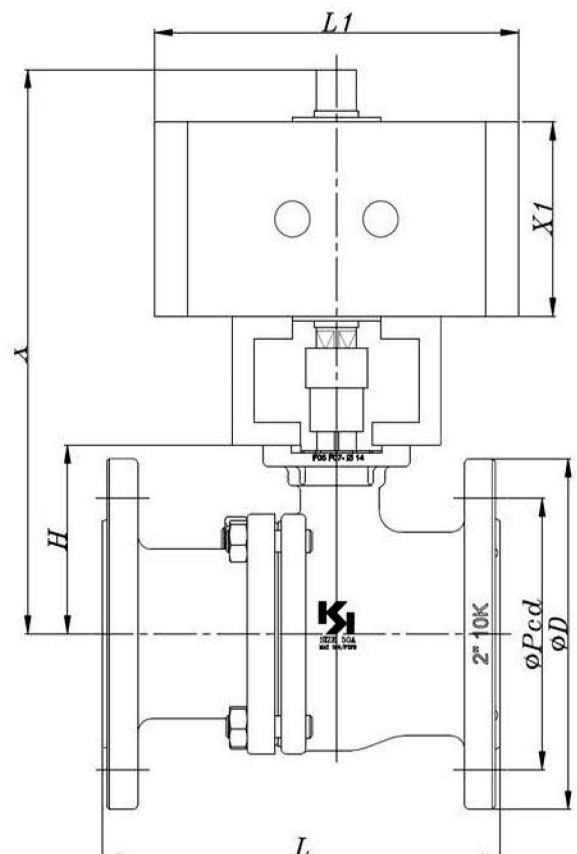
FLANGED END

100% factory tested

SPECIFICATION								
Seat Material	Temp.Range	Pressure	Leak Rates					
			Inborad	Across Seat				
PTFE	-10 ~ 80°C	10kgf/cm <sup>2</sup>	$\leq 1.0 \times 10^{-6}$ atm.cc/sec He	$\leq 1.0 \times 10^{-6}$ atm.cc/sec He				
FLANGED END								
Model	Size	ΦD	ΦPcd	L	H	L1	X	X1
15A	1/2"	95	70	110	46.5	109	176	56
20A	3/4"	100	75	120	51.5	109	178	56
25A	1"	125	90	130	57.5	131	195	66
32A	1-1/4"	135	100	140	71.5	165	214	86
40A	1-1/2"	140	105	165	76.5	165	256	86
50A	2"	155	120	180	83.5	165	259	86
65A	2-1/2"	175	140	190	118.5	200	306	104
80A	3"	185	150	200	129.5	200	309	104
100A	4"	210	175	230	145	249	347	120
125A	5"	250	210	300	158.5	292	380	150
150A	6"	280	240	340	170	328	449	180

STRUCTURE	
Parts	Material
BODY	CF8M
CAP	CF8M
BALL	SUS316
BALL SEAT	PTFE
JOINT GASKET	PTFE
STEM	SUS316
THRUST WASHER	PTFE(Graphite)
O-RING	VITON
STEM PACKING	PTFE
STEM RING	SUS304
BELLEVILLE WASHER	SUS304
STEM NUT	SUS304
STOPPER	SUS304
SPRING WASHER	SUS304
HANDLE	SUS304
PLASTIC COVER	PLASIC
NUT1	SUS304
STUD BOLT1	SUS304
NUT2	SUS304
STUD BOLT2	SUS304
LOCK WASHER	SUS304

FLANGED END



# V2FH SERIES

2-PIECE FULL PORT BALL VALVE

JIS10K

STAINLESS STEEL

SUS 316(EN10213-4 1.4408)(ASTM-A351-CF8M)

SUS 304(EN10213-4 1.4308)(ASTM-A351-CF8)

FEATURES:

Flang:JIS 10K B2212

Face to face:DIN3202 F1/F4/F5

Anti-static device,fire safe design

Blow-out proof stem , lever operated

Direct Mountig Pad ISO 5211

FLANGED END

100% factory tested

SPECIFICATION						
Seat Material	Temp.Range	Pressure	Leak Rates			
			Inborad	Across Seat		
PTFE	-10 ~ 80°C	10kgf/cm <sup>2</sup>	$\leq 1.0 \times 10^{-6}$ atm.cc/sec He	$\leq 1.0 \times 10^{-6}$ atm.cc/sec He		
FLANGED END (JIS 10K)						
Model	Size	ΦD	ΦPcd	L	H	L1
125A	5"	250	210	300	158.5	335
150A	6"	280	240	340	170	355

FLANGED END

STRUCTURE	
Parts	Material
BODY	CF8M
CAP	CF8M
BALL	SUS316
BALL SEAT	PTFE
JOINT GASKET	PTFE
STEM	SUS316
THRUST WASHER	PTFE(Graphite)
O-RING	VITON
STEM PACKING	PTFE
STEM RING	SUS304
BELLEVILLE WASHER	SUS304
STEM NUT	SUS304
STOPPER	SUS304
SPRING WASHER	SUS304
HANDLE	SUS304
PLASTIC COVER	PLASIC
NUT1	SUS304
STUD BOLT1	SUS304
NUT2	SUS304
STUD BOLT2	SUS304
LOCK WASHER	SUS304

