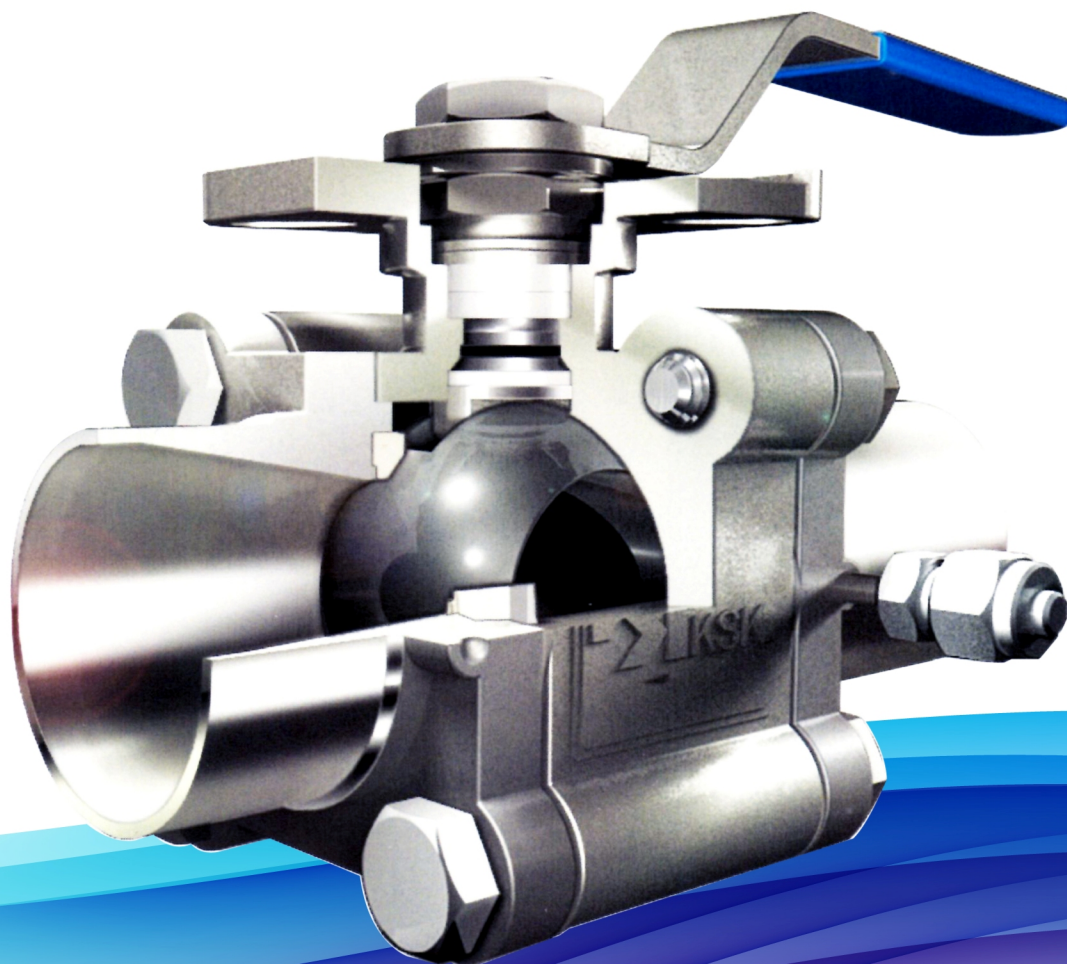




ボールバルブ / Ball Valve



PURITY CLEAN BALL VALVE VALVE FOR ELECTRONIC



HTC®

LET-LOK®



株式会社 ハムレット・モトヤマ・ツヤパン

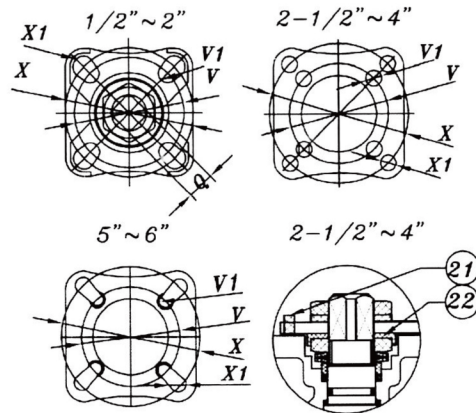
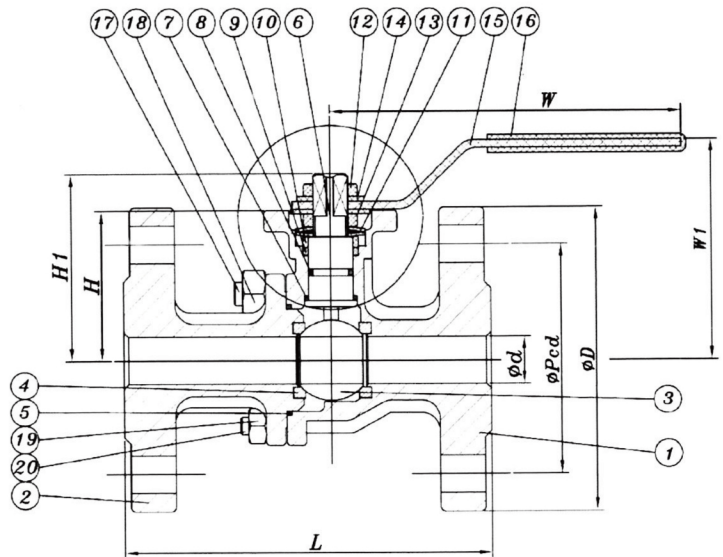


FLANGE END

FLANGE END

2-PC FULL PORT BALL VALVE

Dimensions (寸法表)

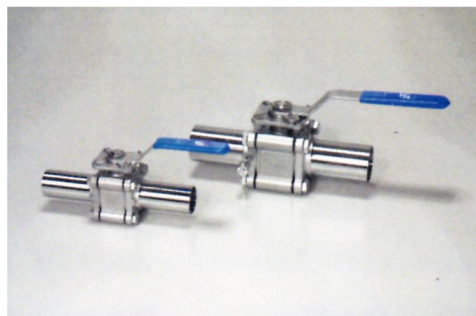


Material 材質			
1	BODY	SUS316	1
2	CAP	SUS316	1
3	BALL	SUS316	1
4	BALL SEATS	PTFE	2
5	JOINT GASKET	PTFE	1
6	STEM	SUS316	1
7	THRUST WASHER	PTFE	1
8	O-RING	VITON	1
9	STEM PACKING	PTFE	1
10	STEM RING	SUS304	1
11	BELLEVILLE WASHER	SUS304	2
12	STEM NUT	SUS304	2
13	STOPPER	SUS304	1
14	SPRING WASHER	SUS304	1
15	HANDLE	SUS304	1
16	PLASTIC COVER	PLASTIC	1
17	NUT1	SUS304	1
18	STUD BOLT1	SUS304	1
19	NUT2	SUS304	3.5.7
20	STUD BOLT2	SUS304	3.5.7
21	STOPPER PIN	SUS304	1
22	LOCK WASHER	SUS304	1

Inspections 試験検査		
MAX. WORKING PRESSURE		1Mpa G(10 kgf/cm ² G)
WORKING TEMP. RANGE		-10 to +80°C
HELEAK PATE	INBOARD	≤ 1.0x10 ⁶ Pa. m ³ /sec He (≤ 7.5x10 ⁶ Torr. l/sec He)
	ACROSS THE SEAT	≤ 1.0x10 ⁶ Pa. m ³ /sec He (≤ 7.5x10 ⁶ Torr. l/sec He)

Technical Data (仕様)

SIZE	φd	φD	φPcd	L	H	H1	W	W1	Q	V	V1	X	X1
15A	15	95	70	110	46.5	56	110	89	9	42	6		
20A	20	100	75	120	51.5	61	110	94	9	42	6	50	7
25A	25	125	90	130	57.5	67	136	95	11	42	6	50	7
32A	32	135	100	140	71.5	87	175	105.7	14	50	7	70	9
40A	40	140	105	165	76.5	92	203	110.7	14	50	7	70	9
50A	50	155	120	180	83.5	99	203	117.7	14	50	7	70	9
65A	65	175	140	190	118.5	137	277.5	155.5	17	70	9	102	11
80A	80	185	150	200	129.5	148	277.5	166.5	17	70	9	102	11
100A	100	210	175	230	145	163.5	377.5	182	17	70	9	102	11
125A	125	250	210	300	158.5	202.1	500	225	27	102	12	125	25
150A	150	280	240	340	170	213.6	600	240	27	102	12	125	25



BUTT WELD END

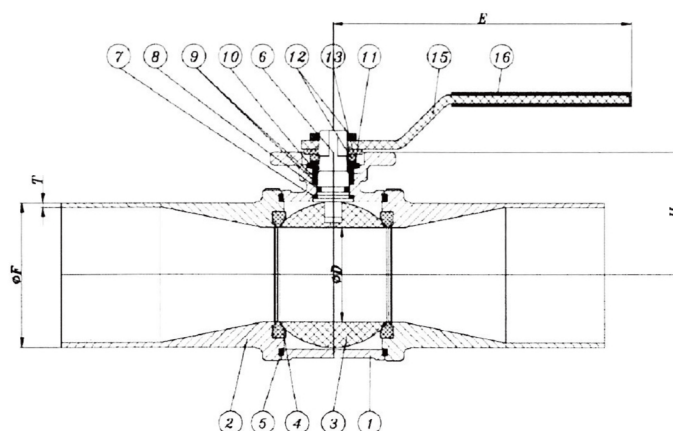
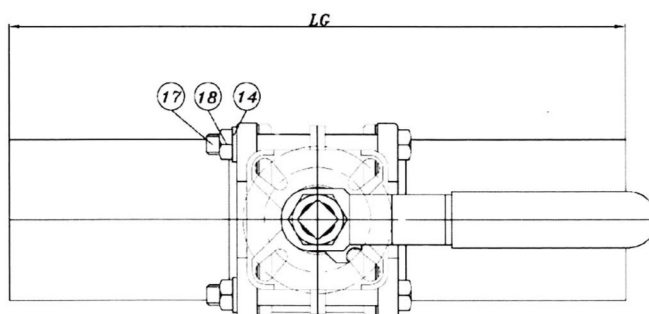
BUTT WELD END

3-PC FULL DIRECT MOUNTING PAD PORT BALL VALVE

Dimensions (寸法表)

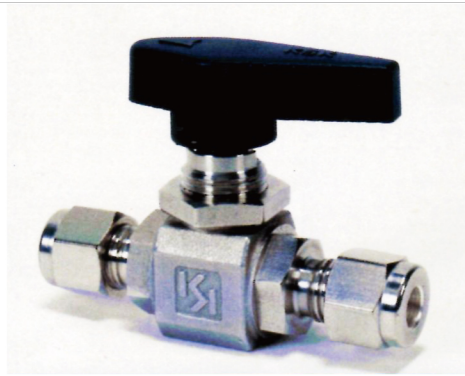
Material 材質			
1	BODY	SUS316	1
2	CAP	SUS316	2
3	BALL	SUS316	1
4	BALL SEATS	PTFE	2
5	JOINT GASKET	PTFE	2
6	STEM	SUS316	1
7	THRUST WASHER	PTFE	1
8	O-RING	VITON	1
9	STEM PACKING	PTFE	2
10	STEM RING	SUS304	1
11	BELLEVILLE WASHER	SUS304	2
12	STEM NUT	SUS304	2
13	STOPPER	SUS304	1
14	SPRING WASHER	SUS304	*
15	HANDLE	SUS304	1
16	PLASTIC COVER	PLASTIC	1
17	BOLT	SUS304	*
18	HEX NUT	SUS304	*

Inspections 試験検査		
MAX. WORKING PRESSURE 1Mpa G(10 kgf/cm ² G)		
WORKING TEMP. RANGE -10 to +80°C		
HELEAK PATE	INBOARD	≤ 1.0x10 ⁻⁶ Pa. m ³ /sec He (≤ 7.5x10 ⁻⁶ Torr. l/sec He)
	ACROSS THE SEAT	≤ 1.0x10 ⁻⁶ Pa. m ³ /sec He (≤ 7.5x10 ⁻⁶ Torr. l/sec He)



Technical Data (仕様)

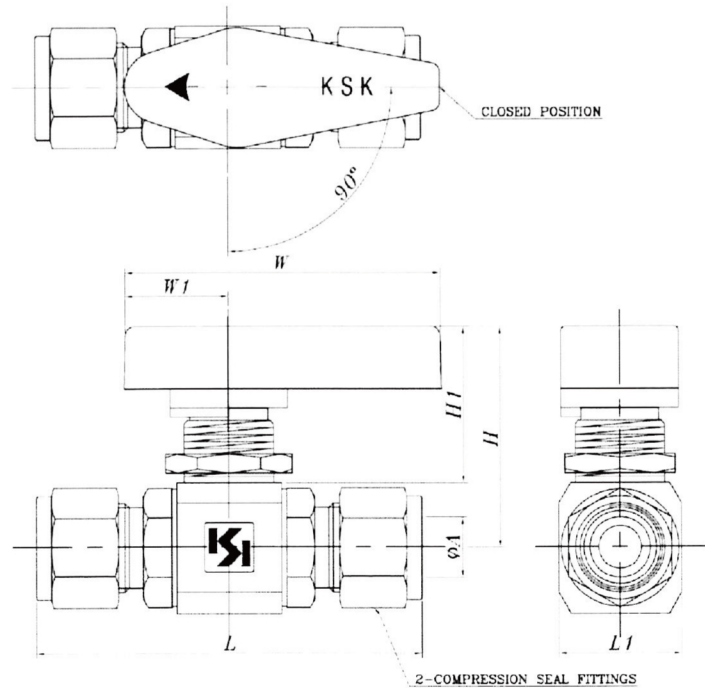
SIZE	φD	φF	E	H	T	LG
15A	10	21.7	112	38	1.65	151
20A	15	27.2	112	38	1.65	155
25A	20	34	138	45	1.65	186.2
32A	25.4	42.7	138	50	1.65	195.6
40A	32	48.6	205	58.5	1.65	231.6
50A	38	60.5	205	63	1.65	243.4
65A	50	76.3	205	77	2.1	290.2
80A	65	89.1	330	120.5	2.1	290.2
100A	80	114.3	330	131.5	2.1	324.5
125A	100	139.8	330	146	2.8	512
150A	125	165.2	500	205.5	2.8	574
200A	150	216.3	500	222	2.8	654


BC-SW-SS

BC SERIES

SIZE 1 / 4 " ~ 3 / 4 "

Dimensions (寸法表)


Material 材質

1	BODY	SUS316
2	SEAT	PTFE
3	BALL	SUS316
4	BONNET	SUS304
5	HANDLE	POM
6	COMPRESSION NUT	SUS316
7	FRONT FERRULE	SUS316
8	BACK FERRULE	SUS316

Inspections 試験検査

MAX. WORKING PRESSURE		5Mpa G(50 kgf/cm ² G)
WORKING TEMP. RANGE		-10 to +80°C
HELEAK PATE	INBOARD	≤ 1.0x10 ⁻⁵ Pa. m ³ /sec He (≤ 7.5x10 ⁻⁵ Torr. l/sec He)
	ACROSS THE SEAT	≤ 1.0x10 ⁻⁵ Pa. m ³ /sec He (≤ 7.5x10 ⁻⁵ Torr. l/sec He)

Technical Data (仕様)

SIZE	A	L	H	H1	W	W1	L1
1/4"	6.35	64.5	38.4	28.4	45.5	16.9	20
3/8"	9.53	72	43	31	59.3	20	22
1/2"	12.7	82	47	33.1	67	22	26
3/4"	19.05	89	49.75	32.5	67	22	32

IS09001、高圧ガス認定事務所

株式会社ハムレット・モトヤマ・ジャパン HMJ

本社/東日本営業所

〒103-0012 東京都中央区日本橋堀留町1-10-9 新日本橋第二長岡ビル3F

TEL : 03-3668-5321 FAX : 03-3664-7027

西日本営業所

〒532-0011 大阪市淀川区西中島4-3-5 NLCセントラルビル403

TEL : 06-6305-3961 FAX : 06-6305-3963

